

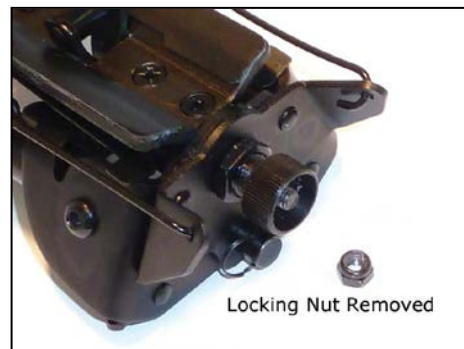
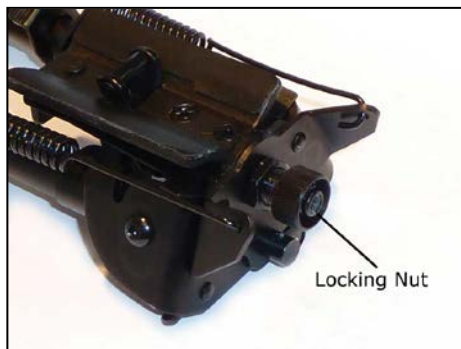
BEST Fittings Bipod Lock for Harris and Similar Swivel Type Bipods

**Allows simple setting and locking of the bipod tilt mechanism,
even with gloved hands, 1/4 turn is all it takes!**

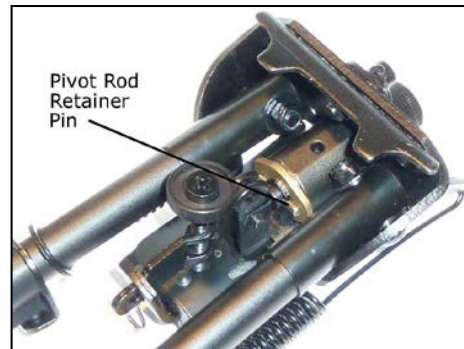
FITTINGS INSTRUCTIONS

We recommend that the unit be installed with the bipod removed from the rifle as this will aid simple assembly.

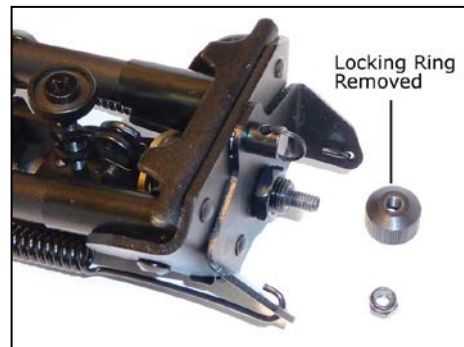
With a suitable sized nut driver, unscrew and remove the locking nut from the inside of the knurled tilt adjuster screw.



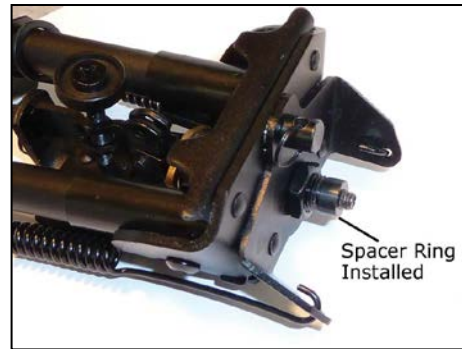
Identify the pivot rod retainer pin as you will need to keep this in place with your finger during the next three steps. Take a good look now, as you may need to put this back into position should it fall out during assembly.



Now carefully unscrew and remove the knurled tilt adjuster screw without allowing the retainer pin to fall out.



Carefully install the spacer ring onto the pivot rod thread taking care not to push the pivot rod out of position and allowing the retaining pin to drop out.



Now screw on the Bipod Locking Lever arm taking care not to cross the threads. Before tightening fully, check that the pivot rod retainer pin is correctly seated in position. If not, slacken off the lever arm and reposition the pin.



The job is now complete, and you can re-install the bipod onto the stock.



If required you can reposition the lever arm by pulling straight back and relocating the lever. The spring will return it onto the ratchet mechanism. No lubrication is required. A quarter turn will allow the tilt mechanism to move.

For further information or fitting advice, please feel free to contact us..

web: www.best-fittings.co.uk email: technical@best-fittings.co.uk

Tel: +44 (0) 1747 312672

E. & O.E.